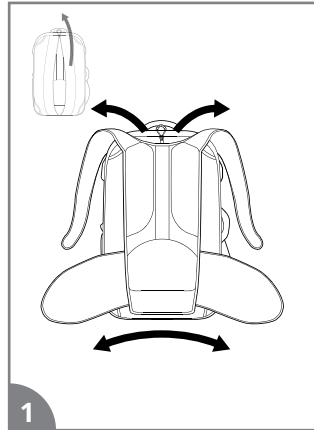
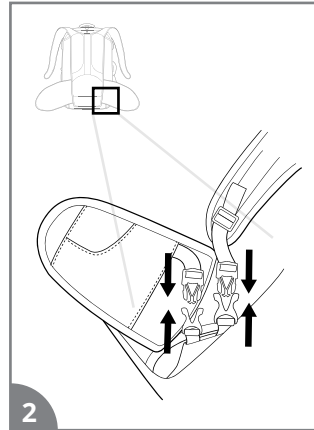


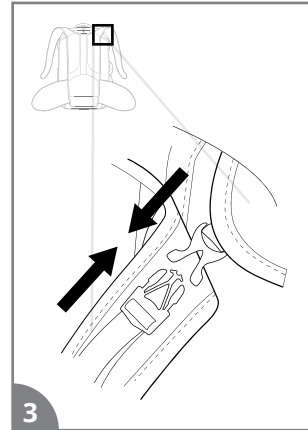
Configuring harness system



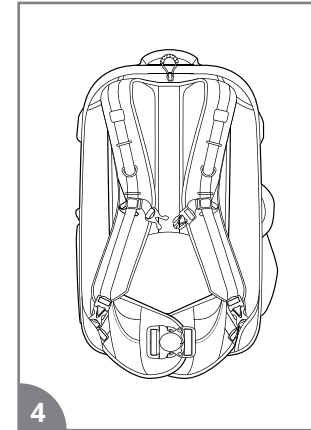
Un-zip harness pocket on back of bag and pull out harness.



Latch waist straps and shoulder straps to base of bag.

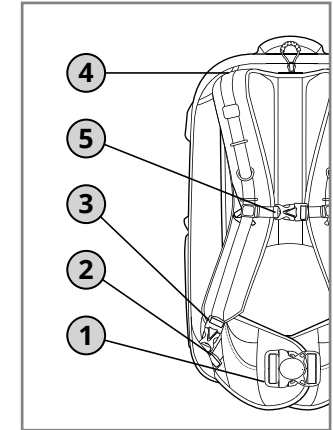


Latch load lifters to top of bag.



Harness is ready.

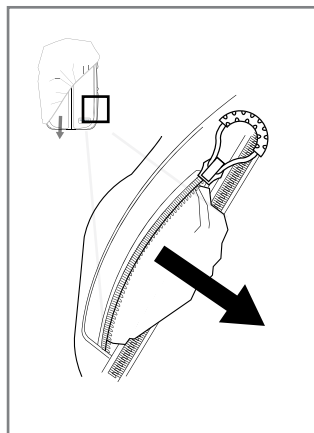
Order of adjustment



To properly fit bag, adjust straps in order shown.

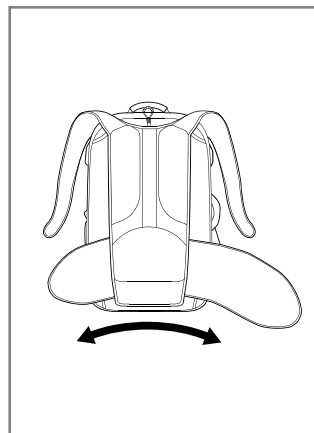
1) Waist Belt, 2) Hip Loaders, 3) Shoulder Straps, 4) Load Lifters, 5) Sternum Strap

Rain Protection



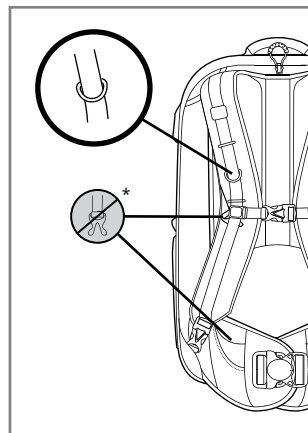
Rain cover is located in bottom right zipper pocket on side of bag.

Adjusting/removing the waist strap



Pull waist strap from velcro backing to adjust or remove.

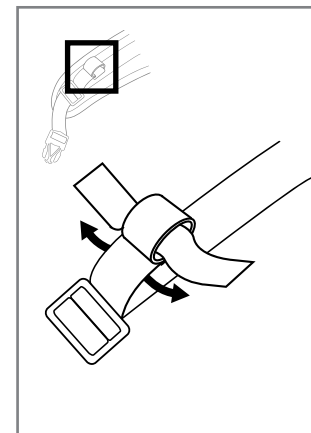
Other accessories



D-rings for accessory attachment.

* Additional female buckles for future products.

Velcro strap keepers



Locate strap keeper. Unstrap and roll/unroll to resize. Resecure velcro.

If you encounter issues or simply have a question on how to best configure your Kiboko, please contact us. We are here to help.

+1 (801) 823-2809 or
support@guragear.com

Love your new Kiboko?

Tell us about it, better yet, tell the world with a Tweet @guragear. Use hashtag #lovegura and you never know, there might be some free swag floating your way for the Twitter love.